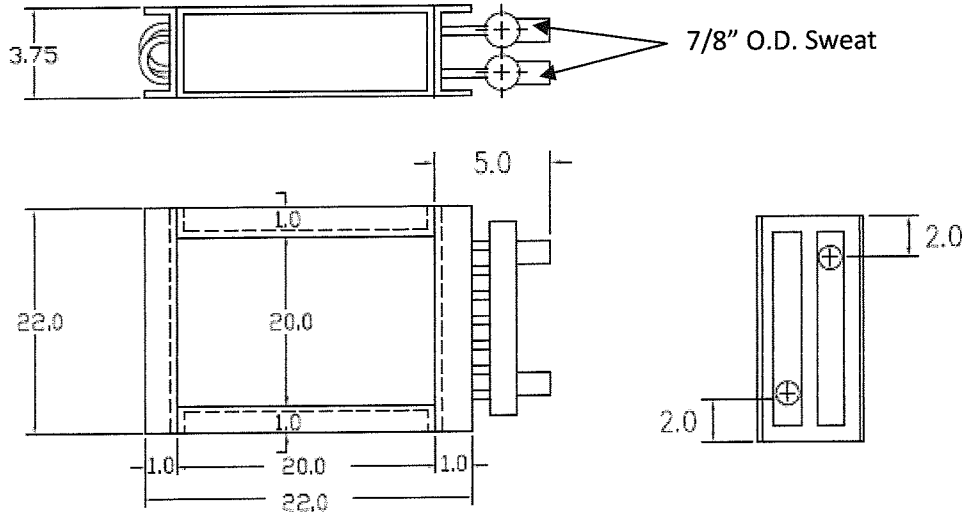




DIVERSIFIED HEAT TRANSFER, INC.

Lindy Coil Central Water Heaters Lindy Industrial Heat Exchangers DHT Heating and Cooling Coils

DHT 2020-3 SERIES



Model: DHT-2020-3				60 °F Entering Air		
E.W.T.	GPM	P.D. FT	CFM	MBTUH	L.A.T. °F	L.W.T. °F
180 °F	10.0	4.74	1500	103.9	123.9	158.7
			2000	120.7	115.7	155.2
			2500	134.1	109.5	152.5
	15.0	10.61	1500	109.3	127.2	165.0
			2000	128.4	119.2	162.4
			2500	144	113.1	160.3
	20.0	18.81	1500	112.3	129	168.5
			2000	132.7	121.2	166.4
			2500	149.5	115.2	164.6

Designers and Manufacturers of Heat Transfer Equipment